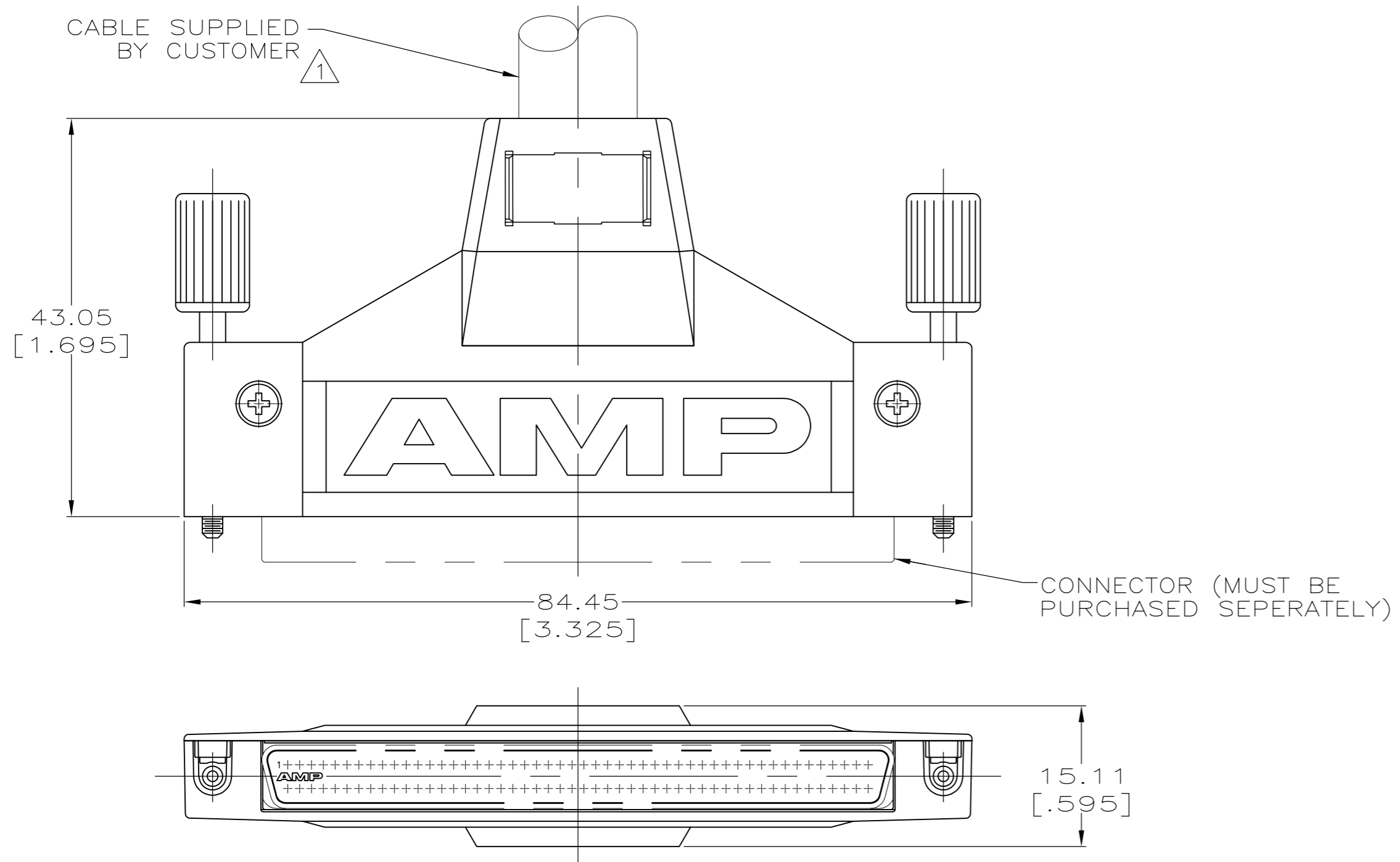
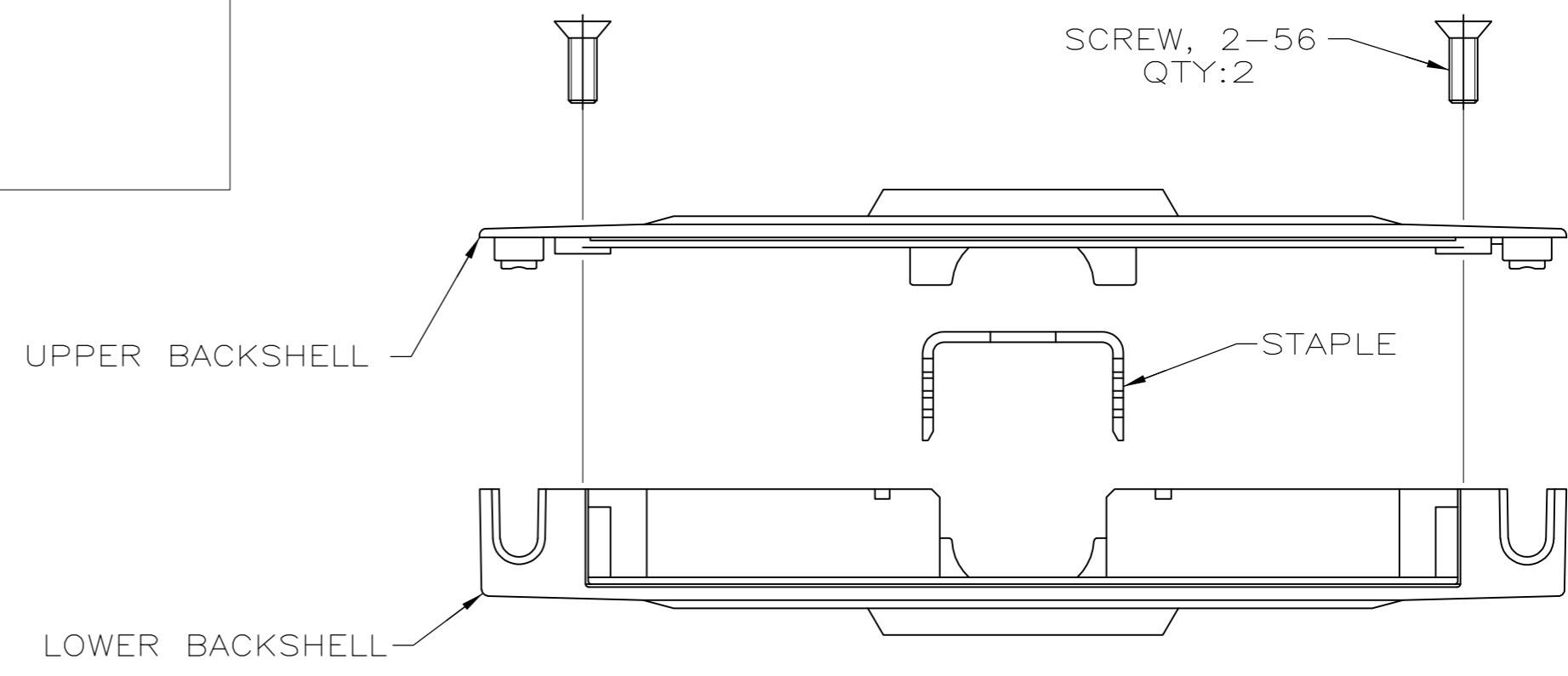
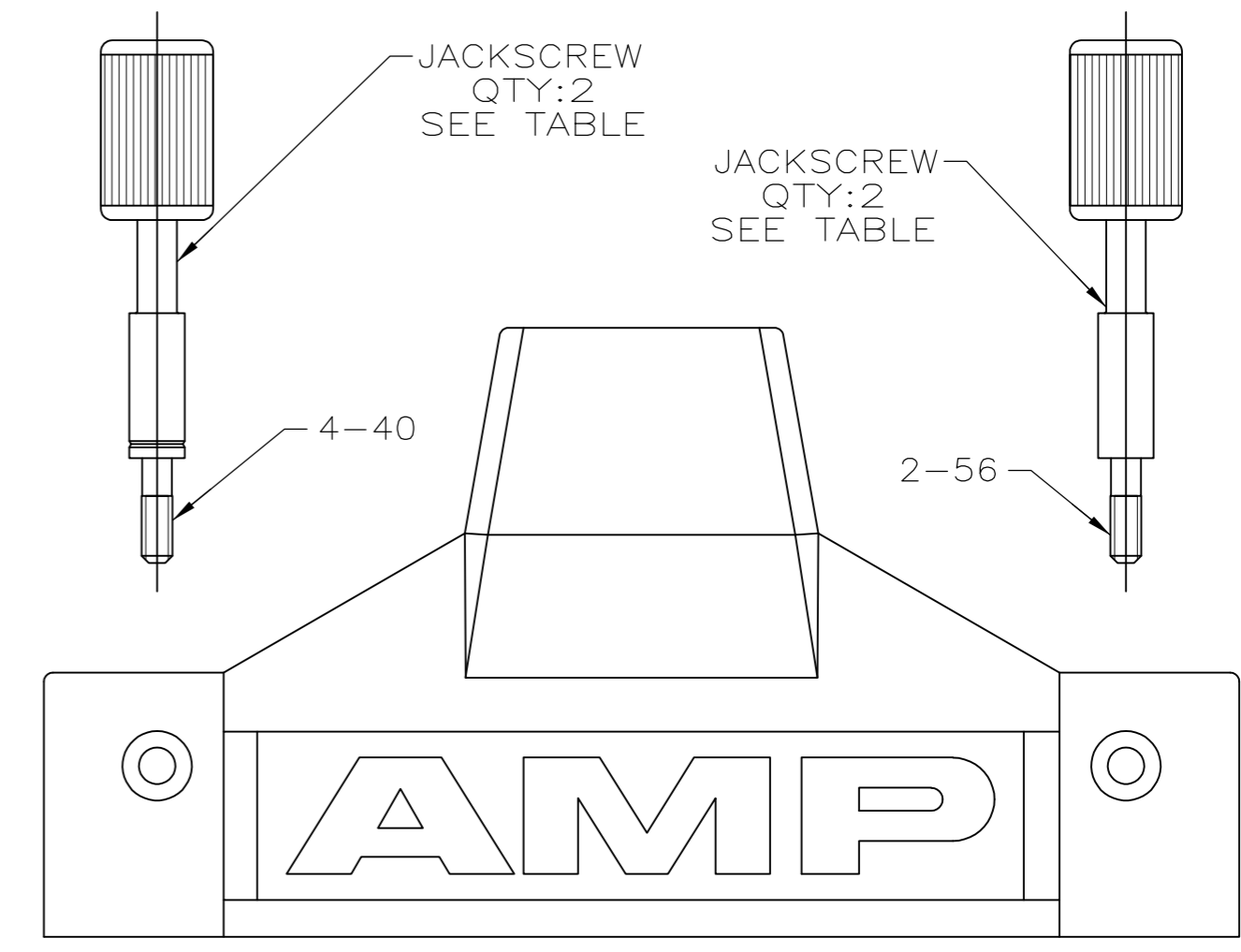


THIS DRAWING IS UNPUBLISHED. RELEASED FOR PUBLICATION  
 © COPYRIGHT - By - ALL RIGHTS RESERVED.

LOC	DIST	REVISIONS			
P	LTR	DESCRIPTION	DATE	DWN	APVD
GP	00				
	F	REVISED PER ECO-11-012218	14JUL2011	CJV	SLB



ASSEMBLED VIEW



- 1 12.70[.500] MAX CABLE DIA.
- 2 BACKSHELLS: ZINC PER ASTM AG40A, UNS Z33521.
- 3 BACKSHELLS: NICKEL PLATED.
- 4 STAPLE, JACKSCREW BODY: STEEL PER ASTM A109.
- 5 STAPLE: BRIGHT TIN-LEAD PLATED.
- 6 JACKSCREW HEAD: POLYPROPYLENE OR NYLON, UL94V-0 RATED, BLACK.
- 7 JACKSCREWS: BLACK ZINC PLATED.
- 8 STAPLE: BRIGHT TIN PLATED.
- 9 SCREWS: STAINLESS STEEL.

SUPERSEDED BY 5749081-1	2-56	8	749081-3
OBSOLETE	4-40	5	749081-2
	2-56	5	749081-1
	JACKSCREW THREAD	STAPLE FINISH	PART NO

THIS DRAWING IS A CONTROLLED DOCUMENT.		DWN JACK ROOT 11-23-88	<b>TE</b> TE Connectivity	
DIMENSIONS: mm [INCHES]		CHK M.WATERS 12-01-88		
TOLERANCES UNLESS OTHERWISE SPECIFIED:		APVD -	NAME	
0 PLC ± -		PRODUCT SPEC -	INDIVIDUAL KIT, BACKSHELLS WITH MALE JACKSCREWS, 100 POSITION AMPLIMITE .050 SERIES	
1 PLC ± -		APPLICATION SPEC -	SIZE	CAGE CODE
2 PLC ± 0.38 [.015]		WEIGHT -	A2	00779
3 PLC ± -			DRAWING NO C=749081	
4 PLC ± -			RESTRICTED TO	
ANGLES ± -				
FINISH				
2 4 6 9		CUSTOMER DRAWING		SCALE 2:1
3 5 7 8				SHEET 1 of 1
				REV F